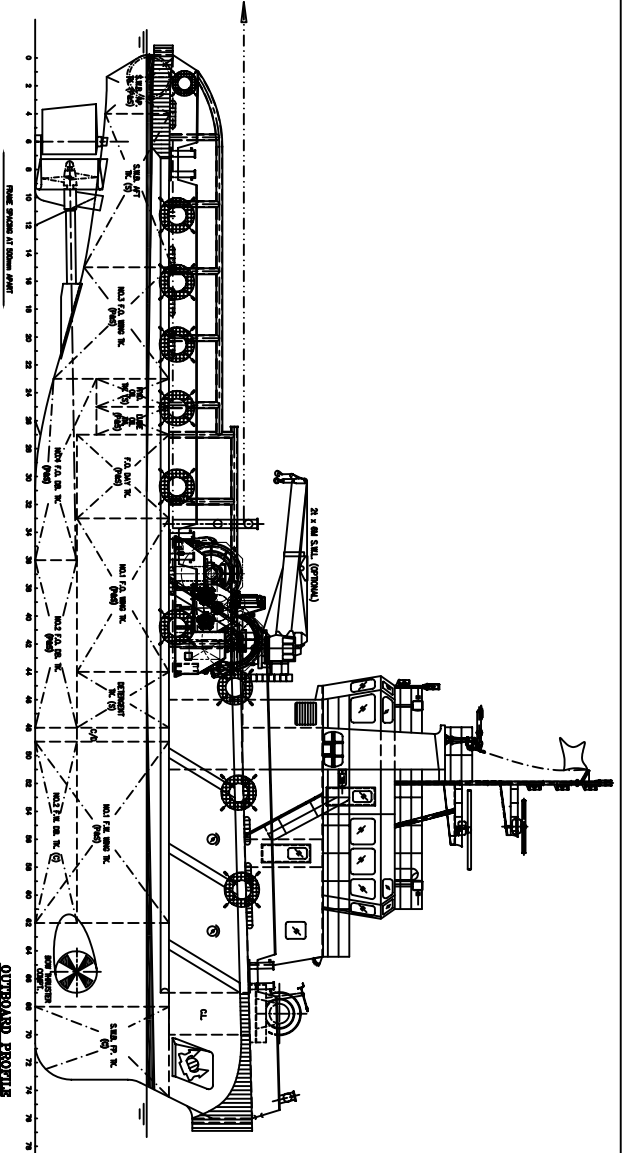
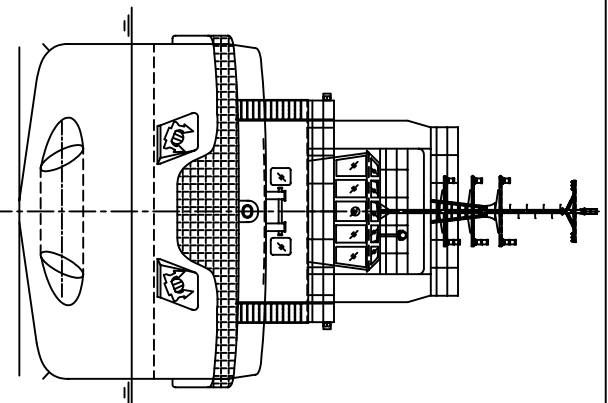


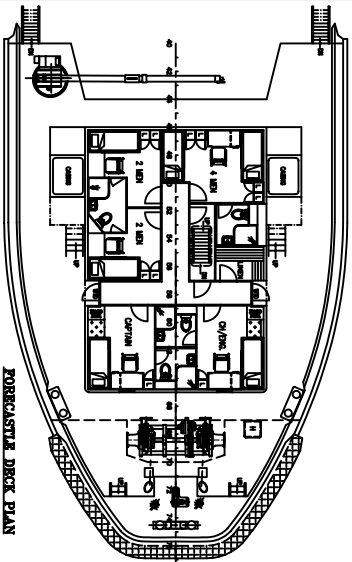
STARBOARD VIEW



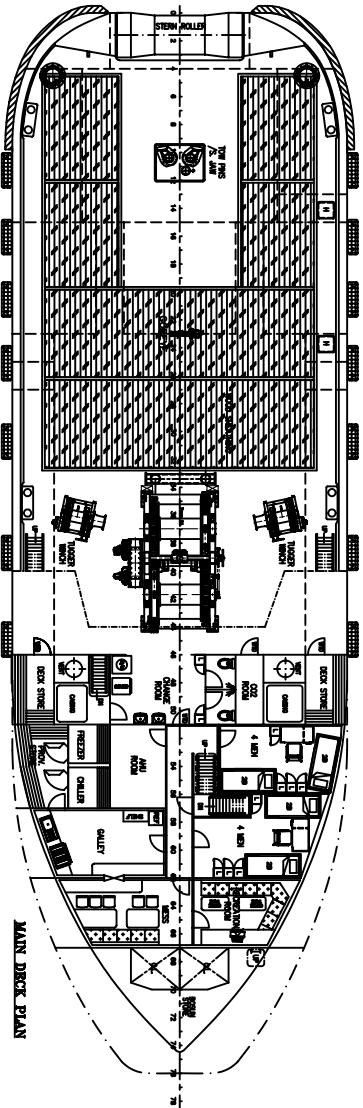
OUTBOARD PROFILE



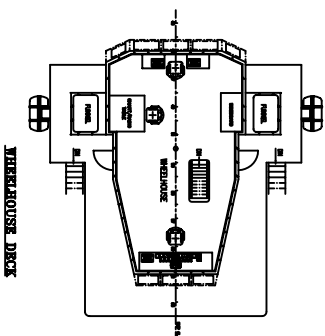
FRONT VIEW



FORECASTLE DECK PLAN



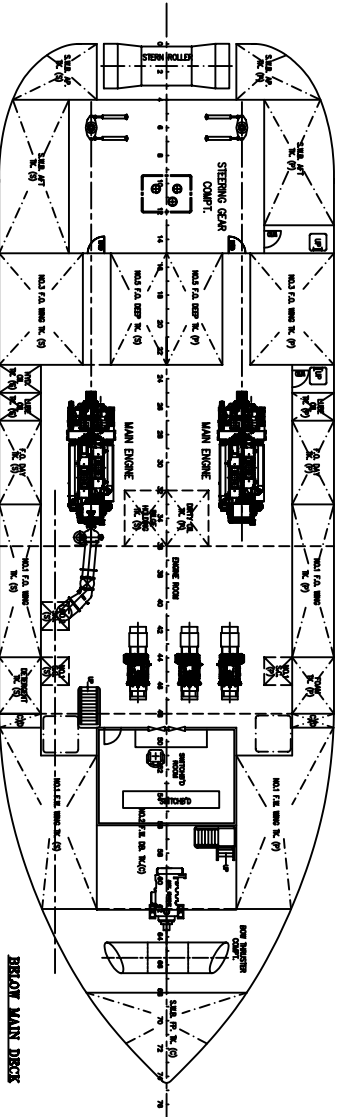
MAIN DECK PLAN



VEERHOUSE DECK

PRINCIPAL DIMENSIONS

LENGTH OVERALL	38.00 M
LENGTH WATERLINE	36.30 M
LENGTH R.P.	33.40 M
BREADTH MOULDED	11.80 M
DEPTH MOULDED	4.80 M
DESIGN DRAUGHT MOULDED	3.80 M
CONPLEMENT	18 MEN
FUEL OIL	3200 TONNES
FRESH WATER	1500 TONNES
TOTAL POWER	2200 BHP
TWAIL SPEED	12.0 KNOTS
BOULDER TOLL (AHEAD)	60.0 TONNES



BRIDGE MAIN DECK

THIS DOCUMENT AND THE INFORMATION IT CONTAINS IS CONFIDENTIAL AND RELAYS THE PROPERTY OF KHIAM CHUAN MARINE PTE LTD. IT IS NOT TO BE REPRODUCED OR TRANSMITTED IN ANY FORM OR BY ANY MEANS, ELECTRONIC OR MECHANICAL, INCLUDING PHOTOCOPYING, RECORDING, OR BY ANY INFORMATION STORAGE AND RETRIEVAL SYSTEM, WITHOUT THE WRITTEN PERMISSION OF KHIAM CHUAN MARINE PTE LTD.

PROJECT	38m TWIN SCREW ANCHOR HANDLING TUG		
THE	(As Fitted)		
GENERAL ARRANGEMENT	SCALE: 1:100		
DATE	NO. OF SHEETS	SHEET NO.	REV.
27-7-08	1	1	1
<p>KHIAM CHUAN MARINE PTE LTD 15, HILLVIEW TERRACE, SINGAPORE 669226 TEL: 67733363 (6 LINES) FAX: 67763788 EMAIL: KHIAM@KHIAMMARINE.COM</p>			
DESIGNER	CHECKED	SCALE	DATE
DRAMA	1:100	KCM/0398(E)-01	1
8-7-08			